

SMD Wire Wound Chip Inductor SEM Series



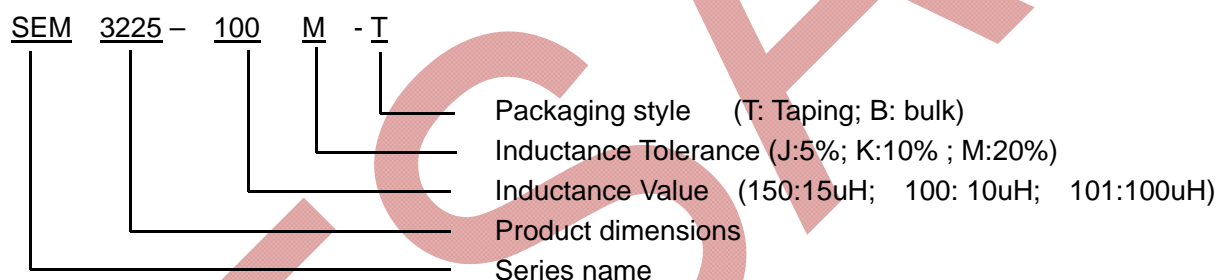
FEATURES

- Lead-free materials is used for the plating on the terminals.
- The product uses metal terminals. Which realize excellent connection reliability.
- High resistance to heat, humidity, mechanical shocks and presser. Accurate dimensions for automatically surface mounted.
- The product has good heat durability that withstands lead-free compatible reflow soldering conditions.

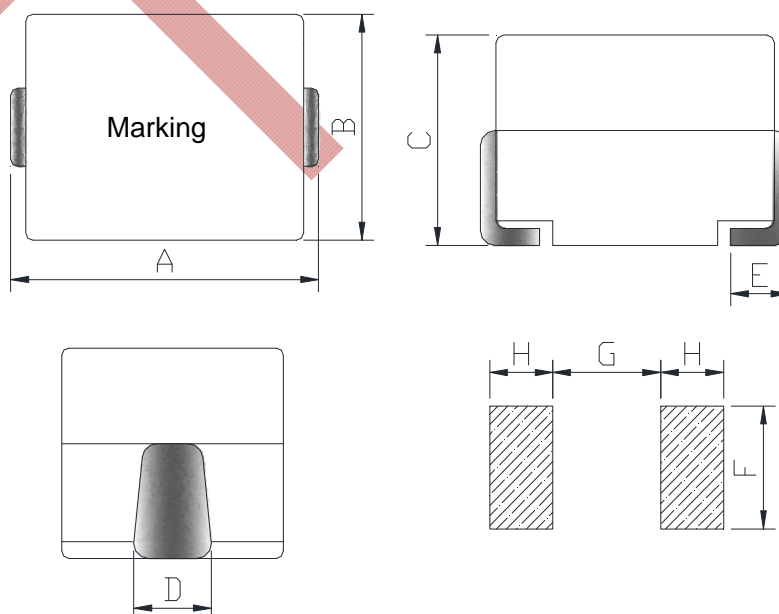
APPLICATIONS

- SEM series high reliable wire would chip inductors for communication, equipment, instrument, video etc. higher density mounting of parts in electric circuits.

PRODUCT IDENTIFICATION



SHAPES AND DIMENSIONS



Series	Dimensions(mm)							
	A	B	C	D	E	F	G	H
SEM3225	3.2±0.4	2.5±0.2	2.2±0.2	1.0±0.2	0.6±0.2	1.2	2.0	1.2
SEM4532	4.5±0.4	3.2±0.2	3.2±0.2	1.2±0.2	1.0±0.2	1.5	3.0	1.5

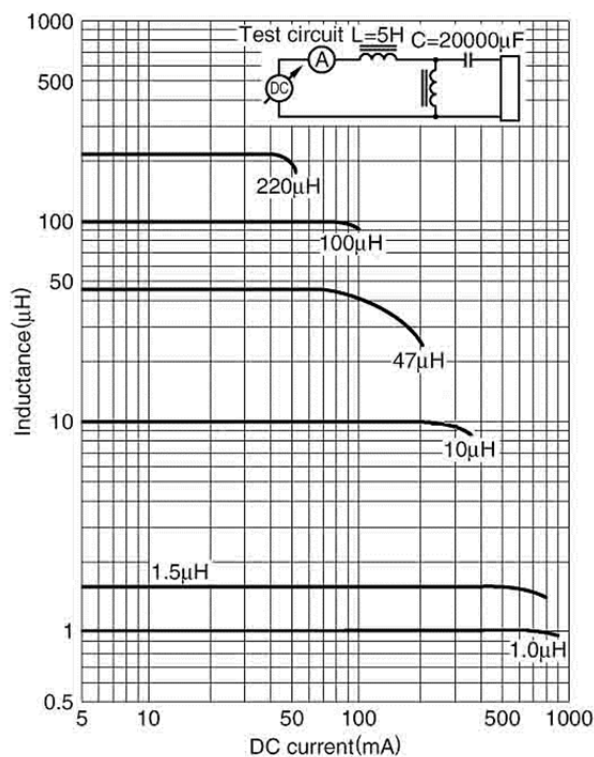
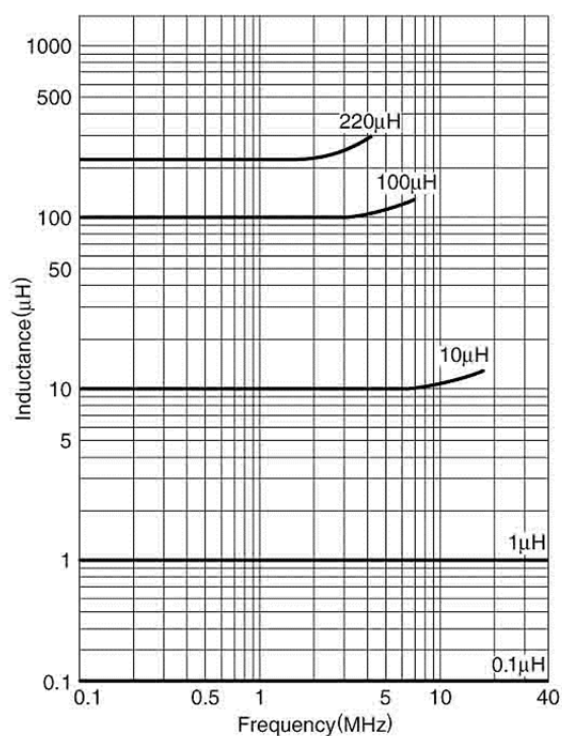
ELECTRICAL CHARACTERISTICS

- **Isat:** DC current at which the inductance drops 10% from its value without current.
- **Irms:** Current that causes a 40°C temperature rise from 25°C ambient.

Part Number	L(uH)	Test Freq. L,Q(MHz)	DCR Max.(Ω)	Rated current (A)	Q (Min.)	SRF (MHz)
SEM3225-R10MT	0.10	100.0	0.440	0.450	28	700.0
SEM3225-R12MT	0.12	25.2	0.220	0.450	30	500.0
SEM3225-R15MT	0.15	25.2	0.250	0.450	30	450.0
SEM3225-R18MT	0.18	25.2	0.280	0.450	30	400.0
SEM3225-R22MT	0.22	25.2	0.320	0.450	30	350.0
SEM3225-R27MT	0.27	25.2	0.360	0.450	30	320.0
SEM3225-R33MT	0.33	25.2	0.400	0.450	30	300.0
SEM3225-R39MT	0.39	25.2	0.450	0.450	30	250.0
SEM3225-R47MT	0.47	25.2	0.500	0.450	30	220.0
SEM3225-R56MT	0.56	25.2	0.550	0.450	30	180.0
SEM3225-R68MT	0.68	25.2	0.600	0.450	30	160.0
SEM3225-R82MT	0.82	25.2	0.650	0.450	30	140.0
SEM3225-1R0JT	1.0	7.96	0.700	0.400	30	120.0
SEM3225-1R2JT	1.2	7.96	0.750	0.390	30	100.0
SEM3225-1R5JT	1.5	7.96	0.850	0.370	30	85.0
SEM3225-1R8JT	1.8	7.96	0.900	0.350	30	80.0
SEM3225-2R2JT	2.2	7.96	1.000	0.320	30	75.0
SEM3225-2R7JT	2.7	7.96	1.100	0.290	30	70.0
SEM3225-3R3JT	3.3	7.96	1.200	0.260	30	60.0
SEM3225-3R9JT	3.9	7.96	1.300	0.250	30	55.0
SEM3225-4R7JT	4.7	7.96	1.500	0.220	30	50.0
SEM3225-5R6JT	5.6	7.96	1.600	0.200	30	45.0
SEM3225-6R8JT	6.8	7.96	1.800	0.180	30	40.0
SEM3225-8R2JT	8.2	7.96	2.000	0.170	30	35.0
SEM3225-100JT	10	2.52	2.100	0.150	30	30.0
SEM3225-120JT	12	2.52	2.500	0.140	30	20.0
SEM3225-150JT	15	2.52	2.800	0.130	30	20.0
SEM3225-180JT	18	2.52	3.300	0.120	30	20.0
SEM3225-220JT	22	2.52	3.700	0.110	30	20.0
SEM3225-270JT	27	2.52	5.000	0.080	30	20.0

SEM3225-330JT	33	2.52	5.600	0.070	30	17.0
SEM3225-390JT	39	2.52	6.400	0.065	30	16.0
SEM3225-470JT	47	2.52	7.000	0.060	30	15.0
SEM3225-560JT	56	2.52	8.000	0.055	30	13.0
SEM3225-680JT	68	2.52	9.000	0.050	30	12.0
SEM3225-820JT	82	2.52	10.000	0.045	30	11.0
SEM3225-100JT	100	0.796	10.000	0.040	20	10.0
SEM3225-121JT	120	0.796	11.000	0.070	20	10.0
SEM3225-151JT	150	0.796	15.000	0.065	20	8.0
SEM3225-181JT	180	0.796	17.000	0.060	20	7.0
SEM3225-221JT	220	0.796	21.000	0.050	20	7.0

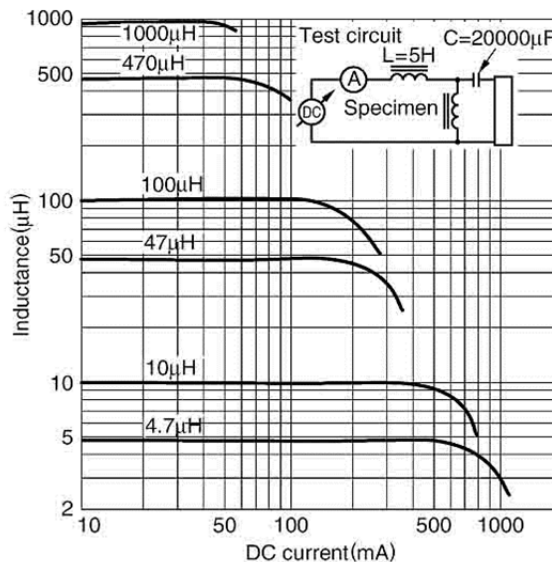
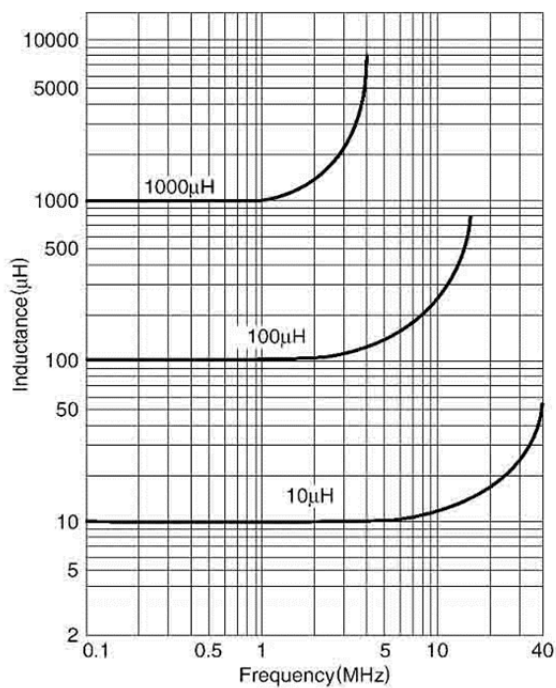
• **Characteristics**



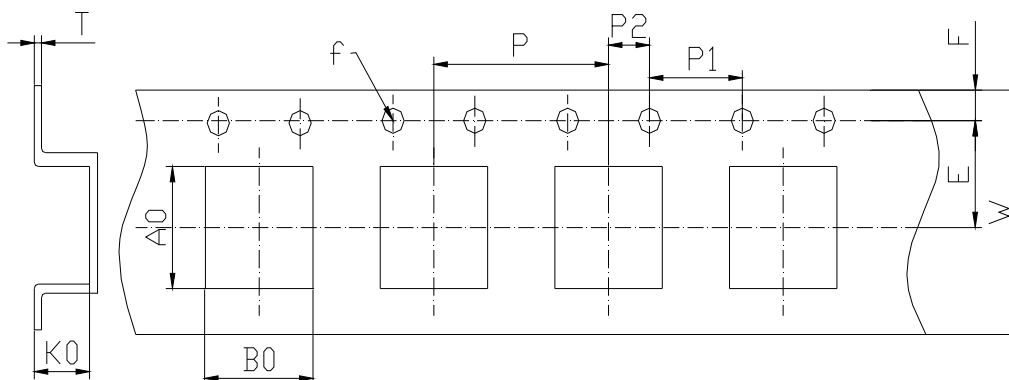
Part Number	L(uH)	Test Freq. L,Q(MHz)	DCR Max.(Ω)	Rated current (A)	Q (Min.)	SRF (MHz)
SEM4532-R10MT	0.10	25.2	0.180	0.800	35	300.0
SEM4532-R12MT	0.12	25.2	0.200	0.770	35	280.0
SEM4532-R15MT	0.15	25.2	0.220	0.730	35	250.0
SEM4532-R18MT	0.18	25.2	0.240	0.700	35	220.0
SEM4532-R22MT	0.22	25.2	0.250	0.665	40	200.0
SEM4532-R27MT	0.27	25.2	0.260	0.635	40	180.0
SEM4532-R33MT	0.33	25.2	0.280	0.605	40	165.0
SEM4532-R39MT	0.39	25.2	0.300	0.575	40	150.0
SEM4532-R47MT	0.47	25.2	0.320	0.545	40	145.0
SEM4532-R56MT	0.56	25.2	0.360	0.520	40	140.0
SEM4532-R68MT	0.68	25.2	0.400	0.500	40	135.0
SEM4532-R82MT	0.82	25.2	0.450	0.475	40	130.0
SEM4532-1R0JT	1.0	7.96	0.500	0.450	50	100.0
SEM4532-1R2JT	1.2	7.96	0.550	0.430	50	80.0
SEM4532-1R5JT	1.5	7.96	0.600	0.410	50	70.0
SEM4532-1R8JT	1.8	7.96	0.650	0.390	50	60.0
SEM4532-2R2JT	2.2	7.96	0.700	0.380	50	55.0
SEM4532-2R7JT	2.7	7.96	0.750	0.370	50	50.0
SEM4532-3R3JT	3.3	7.96	0.800	0.355	50	45.0
SEM4532-3R9JT	3.9	7.96	0.900	0.330	50	40.0
SEM4532-4R7JT	4.7	7.96	1.000	0.315	50	35.0
SEM4532-5R6JT	5.6	7.96	1.100	0.300	50	33.0
SEM4532-6R8JT	6.8	7.96	1.200	0.285	50	27.0
SEM4532-8R2JT	8.2	7.96	1.400	0.270	50	25.0
SEM4532-100JT	10	2.52	1.600	0.250	50	20.0
SEM4532-120JT	12	2.52	2.000	0.225	50	18.0
SEM4532-150JT	15	2.52	2.500	0.200	50	17.0
SEM4532-180JT	18	2.52	2.800	0.190	50	15.0
SEM4532-220JT	22	2.52	3.200	0.180	50	13.0
SEM4532-270JT	27	2.52	3.600	0.170	50	12.0
SEM4532-330JT	33	2.52	4.000	0.160	50	11.0
SEM4532-390JT	39	2.52	4.500	0.150	50	10.0
SEM4532-470JT	47	2.52	5.000	0.140	50	10.0
SEM4532-560JT	56	2.52	5.500	0.135	50	9.0
SEM4532-680JT	68	2.52	6.000	0.130	50	9.0
SEM4532-820JT	82	2.52	7.000	0.120	50	8.0
SEM4532-101JT	100	0.796	8.000	0.110	40	8.0
SEM4532-121JT	120	0.796	8.000	0.110	40	6.0

SEM4532-151JT	150	0.796	9.000	0.105	40	5.0
SEM4532-181JT	180	0.796	9.500	0.102	40	5.0
SEM4532-221JT	220	0.796	10.000	0.100	40	4.0
SEM4532-271JT	270	0.796	12.000	0.920	40	4.0
SEM4532-331JT	330	0.796	14.000	0.850	40	3.5
SEM4532-391JT	390	0.796	18.000	0.800	40	3.0
SEM4532-471JT	470	0.796	26.000	0.620	40	3.0
SEM4532-561JT	560	0.796	30.000	0.500	30	3.0
SEM4532-681JT	680	0.796	30.000	0.500	30	3.0
SEM4532-821JT	820	0.796	35.000	0.300	30	2.5
SEM4532-102JT	1000	0.252	40.000	0.300	20	2.5

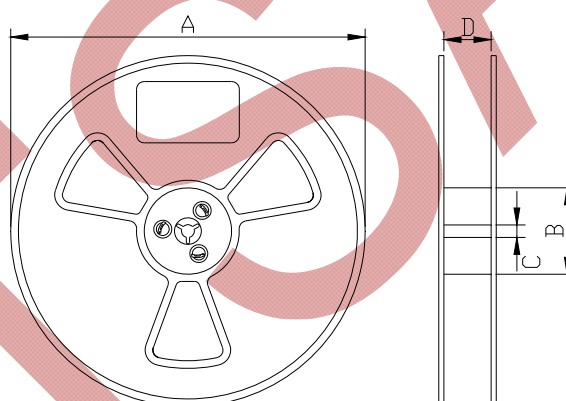
• **Characteristics**



SEM Series Packaging



SIZE	A0	B0	E	F	f	P	P1	P2	W	T	K0
SEM3225	3.50	2.80	3.50	1.75	1.50	8.00	4.00	2.00	8.00	0.30	2.50
SEM4532	4.90	3.30	5.50	1.75	1.50	8.00	4.00	2.00	12.00	0.30	3.50



SIZE	A	B	C	D	Reel/PCS
SEM3225	178	60	13	8.5	2000
SEM4532	178	60	13	12.5	500